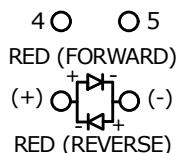
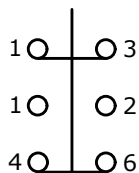


PANEL CUTOUT
MAX. PANEL THICKNESS
14.0mm [.55]



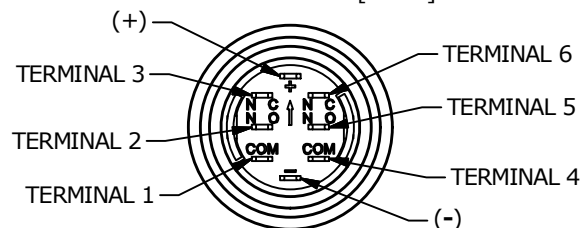
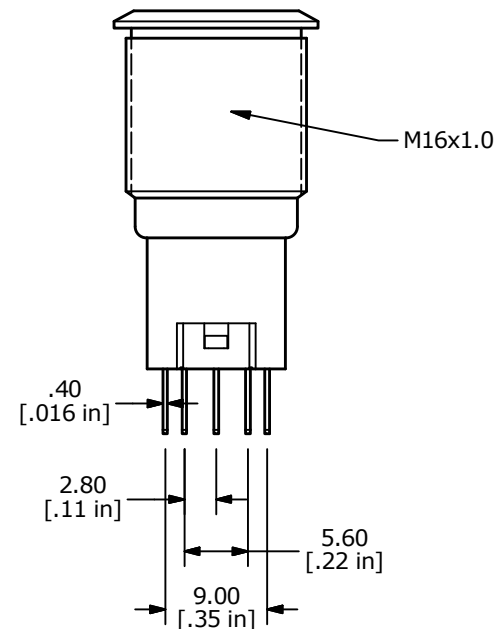
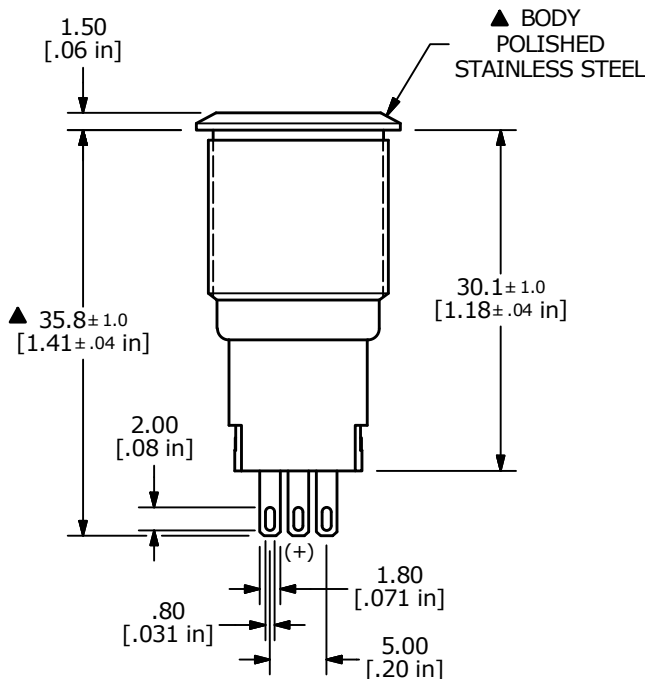
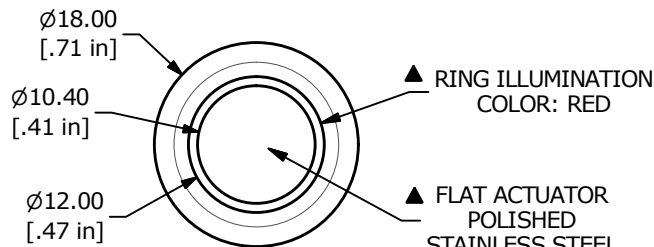
▲ DPDT ON-(ON)
CONTACT CONFIGURATION

SWITCH FUNCTION	
POS. 1	POS. 2
ON	(ON)
1-3, 4-6	1-2, 4-5

(ON) = MOMENTARY

NOTE:

- ALL DIMENSIONS IN MM [INCH]
- GENERAL TOLERANCE: X.X = ±0.4
X.XX = ±0.25
- TERMINAL NUMBERS FOR REF ONLY
- CONTACT MATERIAL: SILVER
- RATING: 2A 48VDC
- ELECTRIC LIFE: 50,000 MAKE-AND-BREAK CYCLES AT FULL LOAD.
- INSULATION RESISTANCE: 1,000 MΩ MIN.
- DIELECTRIC STRENGTH: 2,000 VAC MIN. FOR 1 MINUTE
- CONTACT RESISTANCE: 50mΩ MAX. @ 1A 12VDC
- OPERATING TEMP.: -20°C to 55°C
- ▲ DENOTES CRITICAL PARAMETER.
- HARDWARE SUPPLIED: O-RING AND HEXNUT
- INGRESS RATING: IP40
- LAMP VOLTAGE: 24V



REV	PCR NO	DESCRIPTION	DATE	BY
E	23622	update +/- Terminals	2/25/19	MW
D	23362	UPDATED RATING TO 2A 48VDC	5/14/18	MJR
C	22885	UPDATED RATING TO 1A 24VDC	6/19/17	MJR



TITLE PV3F2H0SS-315				
SCALE 3:2	DATE 7/28/2015	DR MW	DWG 52-PV3F2H0SS315	REV E